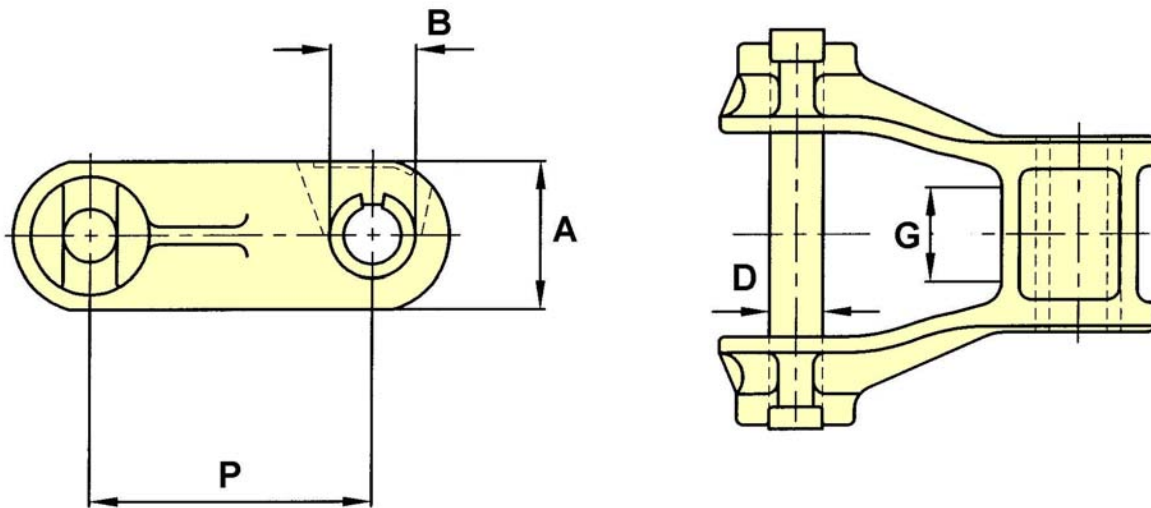


Ley Bushed Chains

Plain Chain

Drawing no. 129

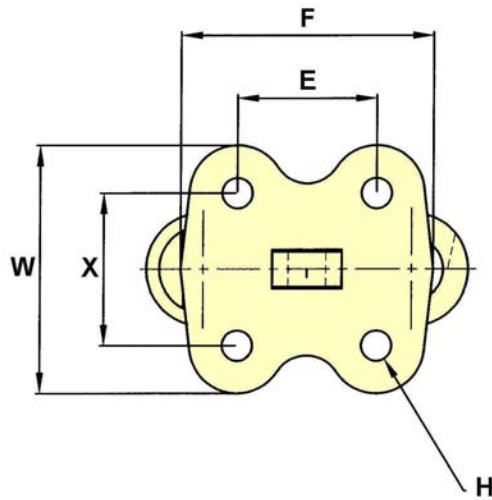


CHAIN NO.	PITCH P	ALLOW. LOAD	U.T.S.	PIN DIA. D	SIDEBAR DEPTH A	MAX GEARING G	BARREL DIA. B
600	6.040	5,000	30,000	0.69	2.13	1.75	1.13
603	3.000	3,300	20,000	0.56	1.56	1.13	0.88
604	4.000	4,580	27,500	0.63	2.00	2.00	1.00
704	4.060	5,850	35,000	0.81	2.13	2.25	1.75

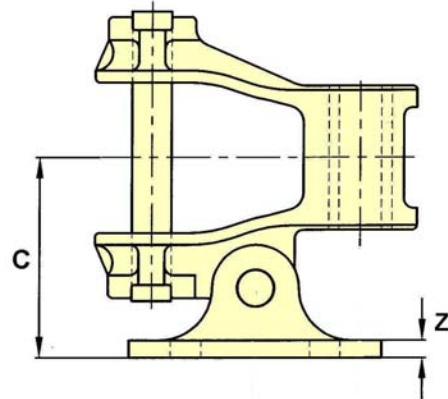
The tabular dimensions and weights are approximate and are not binding.
Design improvements may result in variation from the published figures and verification is recommended.

Ley Bushed Chains

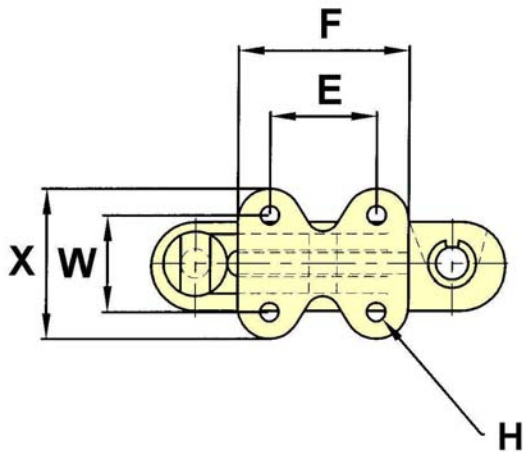
AS20 Attachment



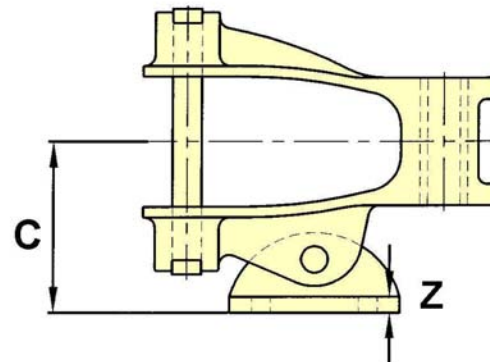
Drawing no. 133



CHAIN NO.	C	E	F	BOLT DIAMETER H	W	X	Z
603	2.81	2.00	3.63	0.38	3.56	2.13	0.25



Drawing no. 157

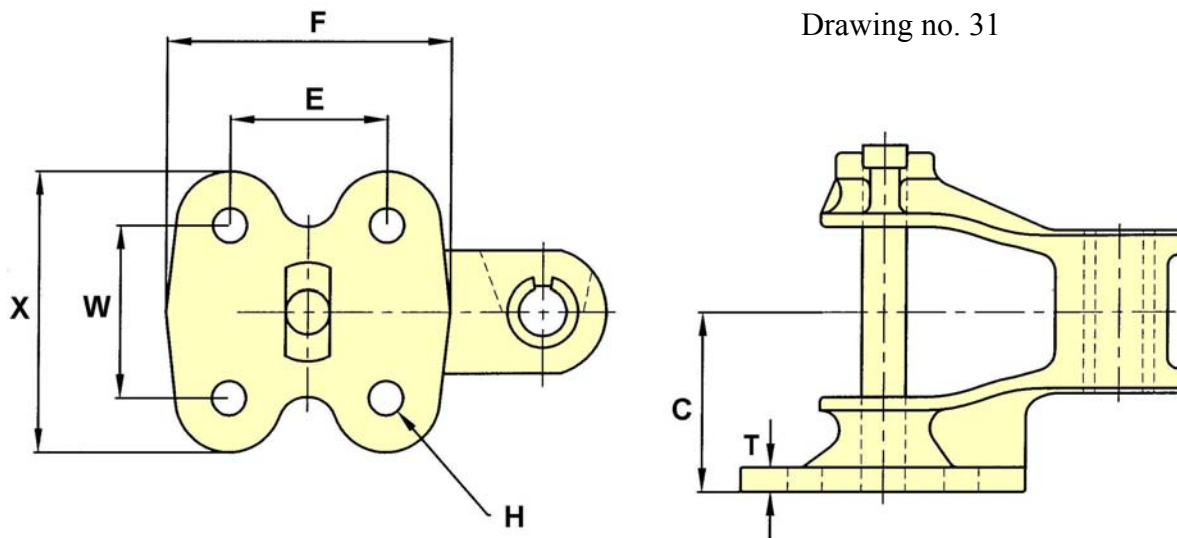


CHAIN NO.	C	E	F	BOLT DIAMETER H	W	X	Z
600	4.00	2.50	4.00	0.38	2.25	3.50	0.38

The tabular dimensions and weights are approximate and are not binding.
Design improvements may result in variation from the published figures and verification is recommended.

Ley Bushed Chains

G20 Attachment

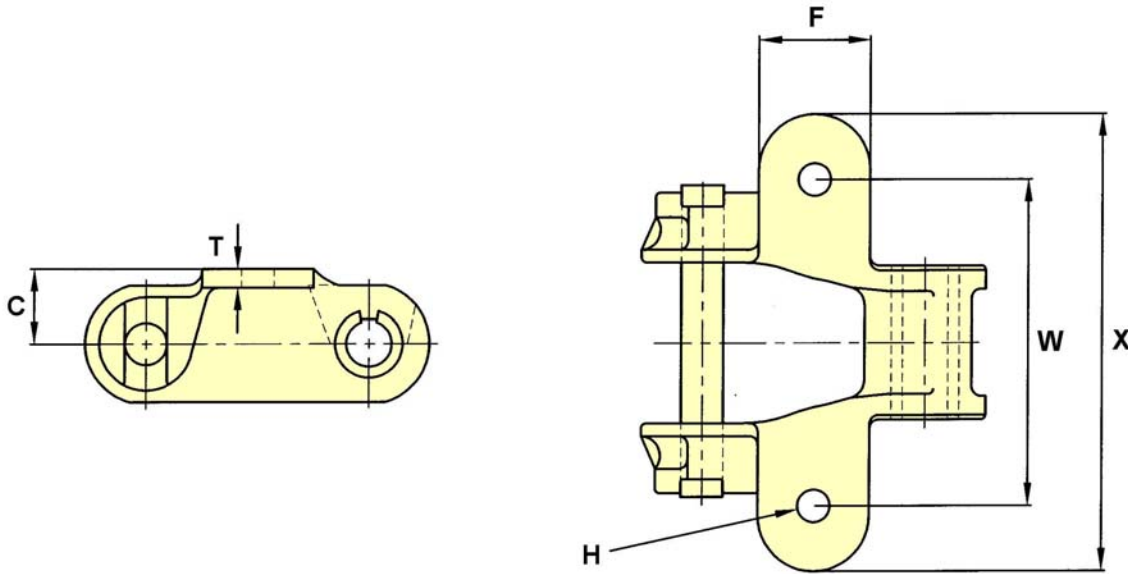


CHAIN NO.	C	E	F	BOLT DIAMETER H	T	W	X
603G20	2.25	2.00	3.63	0.38	0.31	2.19	3.44

Ley Bushed Chains

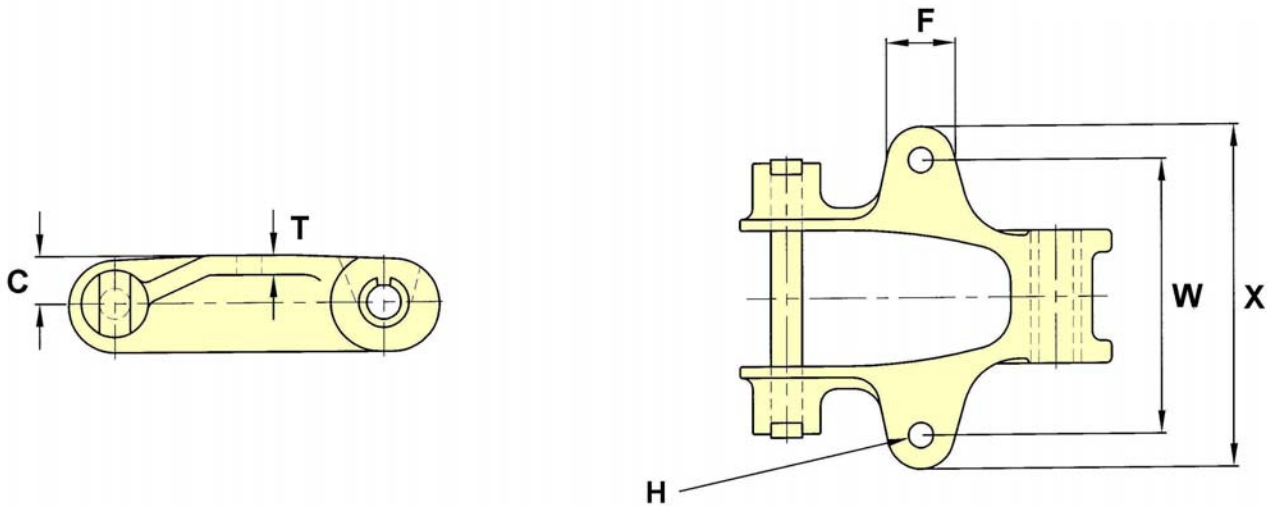
K1 Attachment

Drawing no. 131



CHAIN NO.	C	F	BOLT DIAMETER H	T	W	X
603	1.00	1.50	0.38	0.25	4.38	6.13

Drawing no. 160



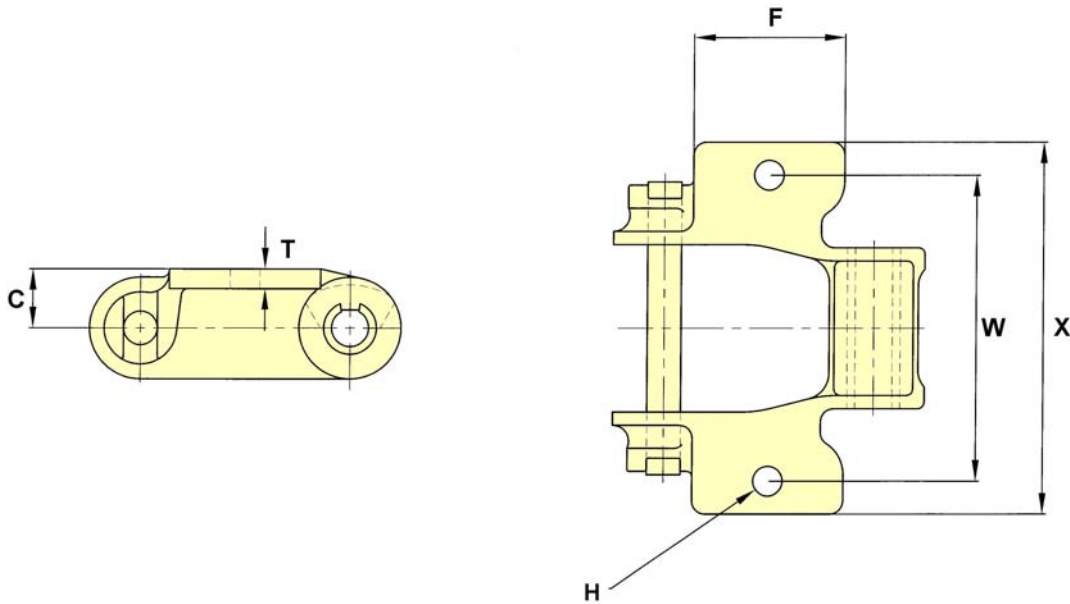
CHAIN NO.	C	F	BOLT DIAMETER H	T	W	X
600	1.06	1.50	0.50	0.44	6.13	7.62

The tabular dimensions and weights are approximate and are not binding.
Design improvements may result in variation from the published figures and verification is recommended.

Ley Bushed Chains

K1 Attachment

Drawing no. 163

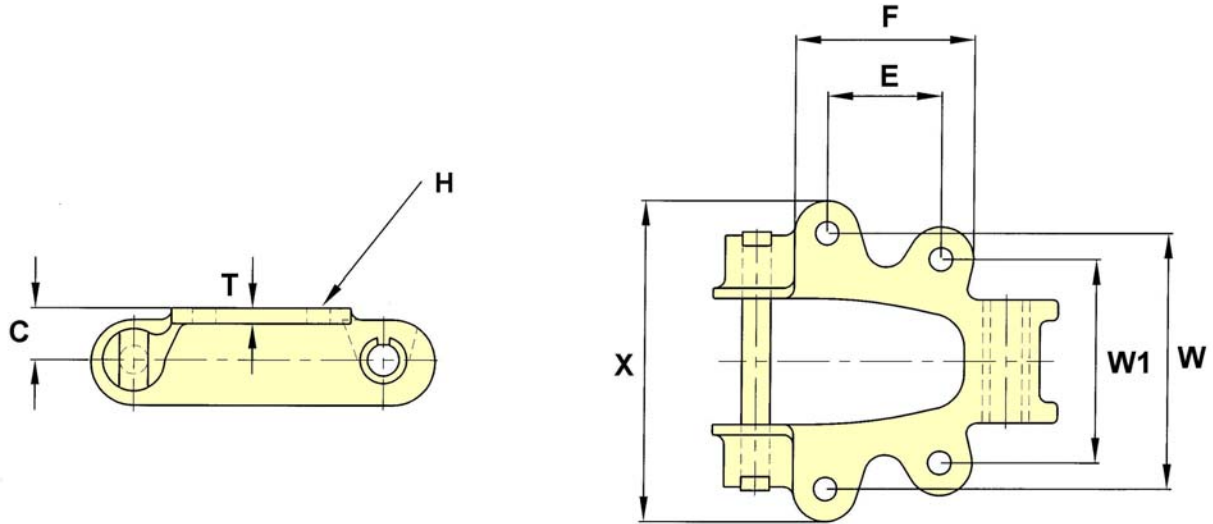


CHAIN NO.	C	F	BOLT DIAMETER H	T	W	X
604	1.13	2.87	0.50	0.38	5.81	7.06

Ley Bushed Chains

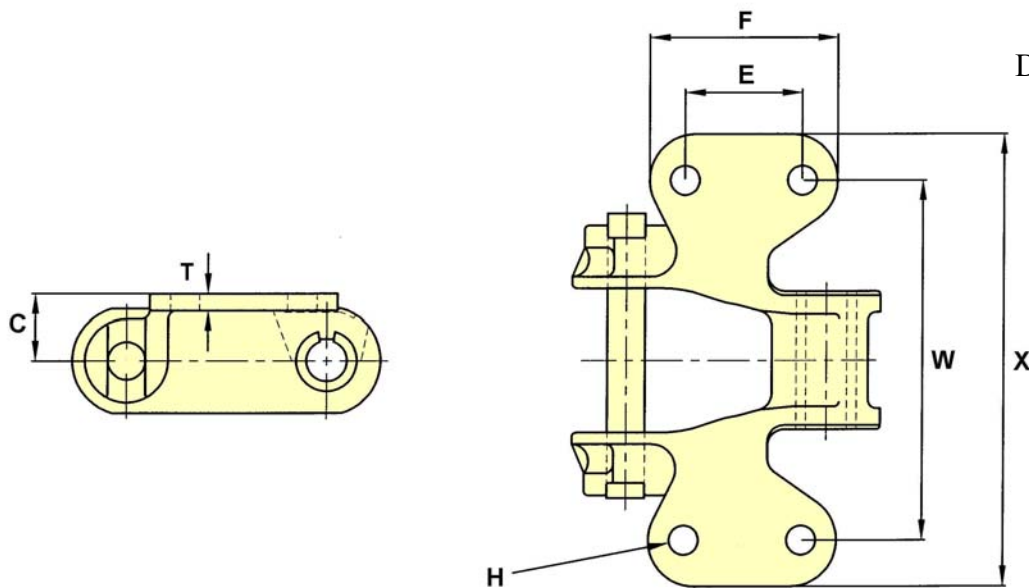
K2 Attachment

Drawing no. 161



CHAIN NO.	C	E	F	BOLT DIAMETER H	T	W	W1	X
600	1.25	2.75	4.25	0.50	0.38	6.13	4.87	7.69

Drawing no. 130

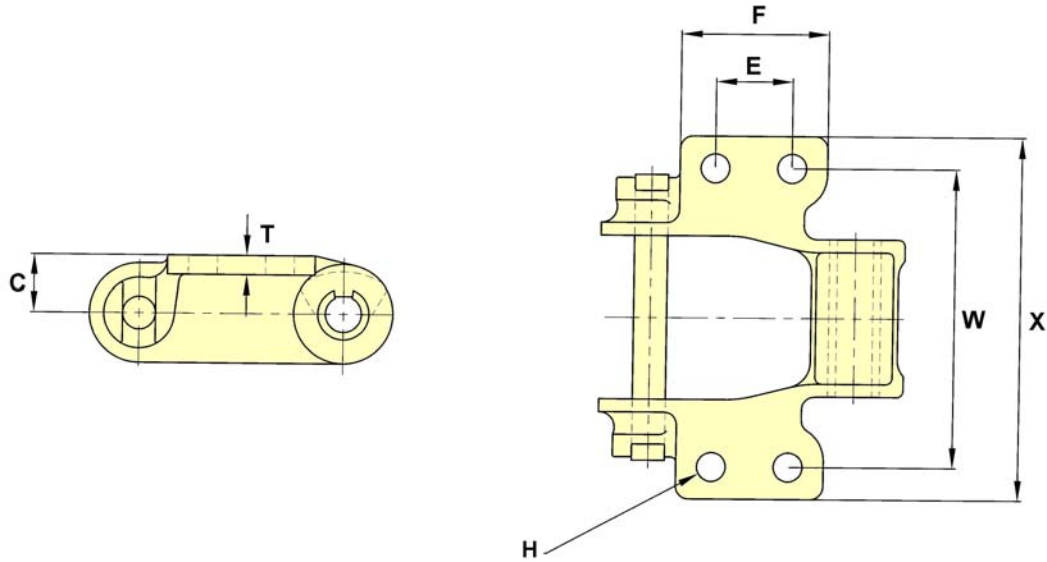


CHAIN NO.	C	E	F	BOLT DIAMETER H	T	W	X
603	1.00	1.75	2.81	0.38	0.25	5.38	6.88

Ley Bushed Chains

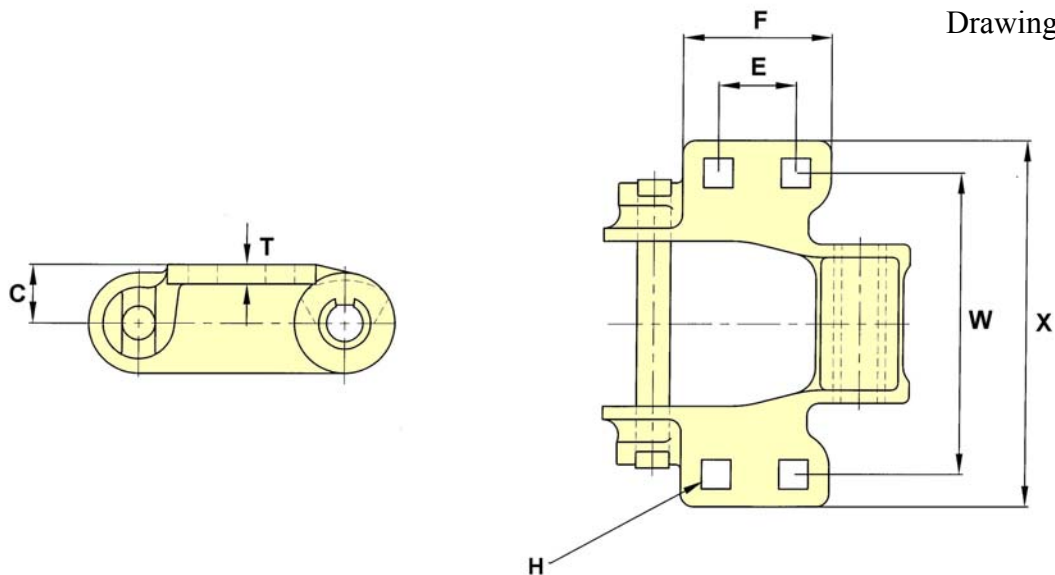
K2 Attachment

Drawing no. 162



CHAIN NO.	C	E	F	BOLT DIAMETER H	T	W	X
604	1.13	1.50	2.81	0.50	0.38	5.81	7.12

Drawing no. 164



CHAIN NO.	C	E	F	H	T	W	X
704 #	1.13	1.50	2.75	*	0.38	5.69	7.25

= HOLES ARE 0.50 SQUARE

The tabular dimensions and weights are approximate and are not binding.
Design improvements may result in variation from the published figures and verification is recommended.