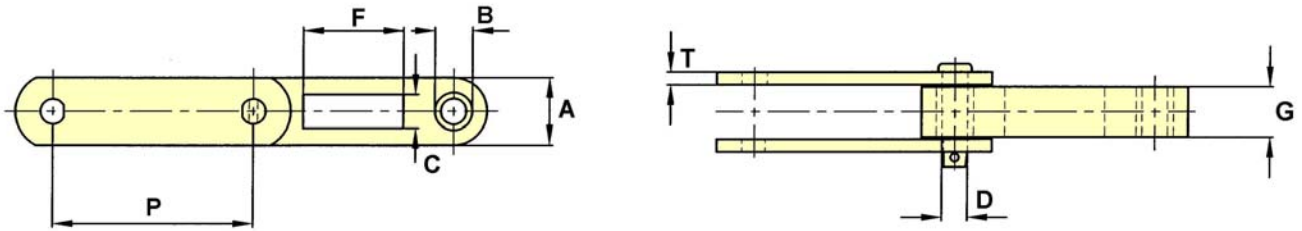


## Block Link Chains

### Slotted Centre Attachment

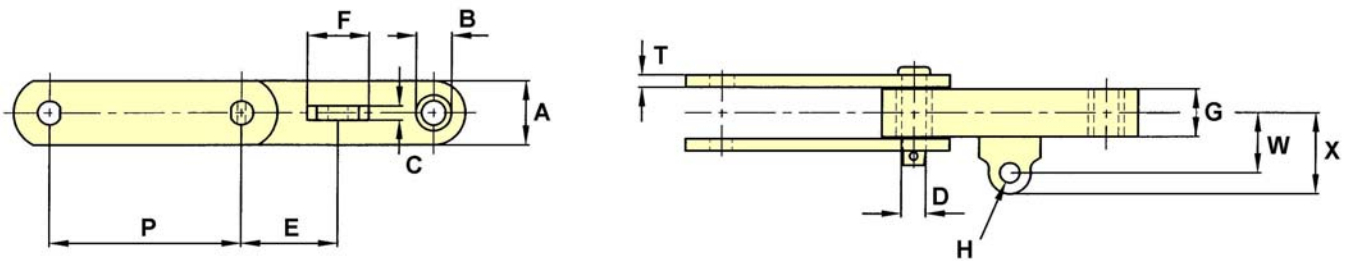
Drawing no. 107



CHAIN NO.	PITCH P	ALLOW. LOAD	U.T.S.	PIN DIA. D	SIDEBAR DEPTH A	MAX. GEARING G	BUSH DIA. B	C	F	T
BL09060	6.00	4,400	60,000	0.75	2.00	40MM	1.12	28mm	75mm	0.38
BL09063	6.00	7,200	140,000	0.94	2.38	55mm	1.25	29mm	73.5mm	0.41

### Lug Only Attachment

Drawing no. 6



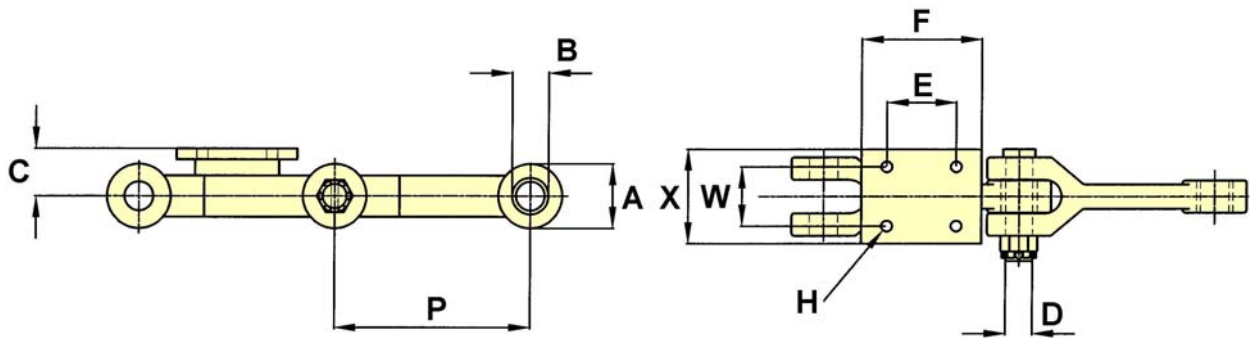
CHAIN NO.	PITCH P	ALLOW. LOAD	U.T.S.	PIN DIA. D	SIDEBAR DEPTH A	MAX. GEARING G	BUSH DIA. B	C	E	F	BOLT DIA. H	T	W	X
E30200	200MM	2,850	90,000	0.75	1.75	1.00	1.12	15MM	100MM	65MM	20MM	0.31	2.00	2.88

The tabular dimensions and weights are approximate and are not binding.  
Design improvements may result in variation from the published figures and verification is recommended.

## Block Link Chains

### Forged Block Link Chains

Drawing no. 108



CHAIN NO.	PITCH P	ALLOW. LOAD	U.T.S.	PIN DIA. D	SIDEBAR DEPTH A	BUSH DIA. B	C	E	F	BOLT DIA. H	W	X
E229	9.000		132,200	35MM	70MM	42MM	51MM	100MM	140MM	16MM	80MM	130MM
E305	12.000		194,000	45MM	100MM	57MM	74MM	108MM	187MM	16MM	92MM	127MM

The tabular dimensions and weights are approximate and are not binding.  
Design improvements may result in variation from the published figures and verification is recommended.