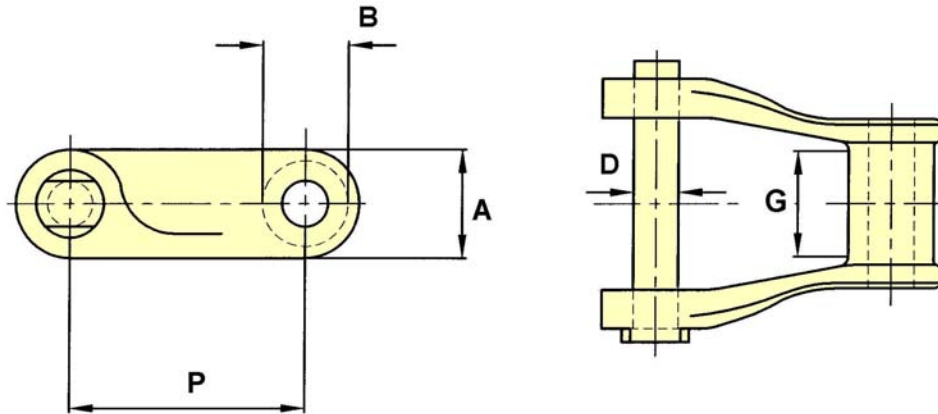


## American H Class Chains

Plain Chain

Drawing no. 122



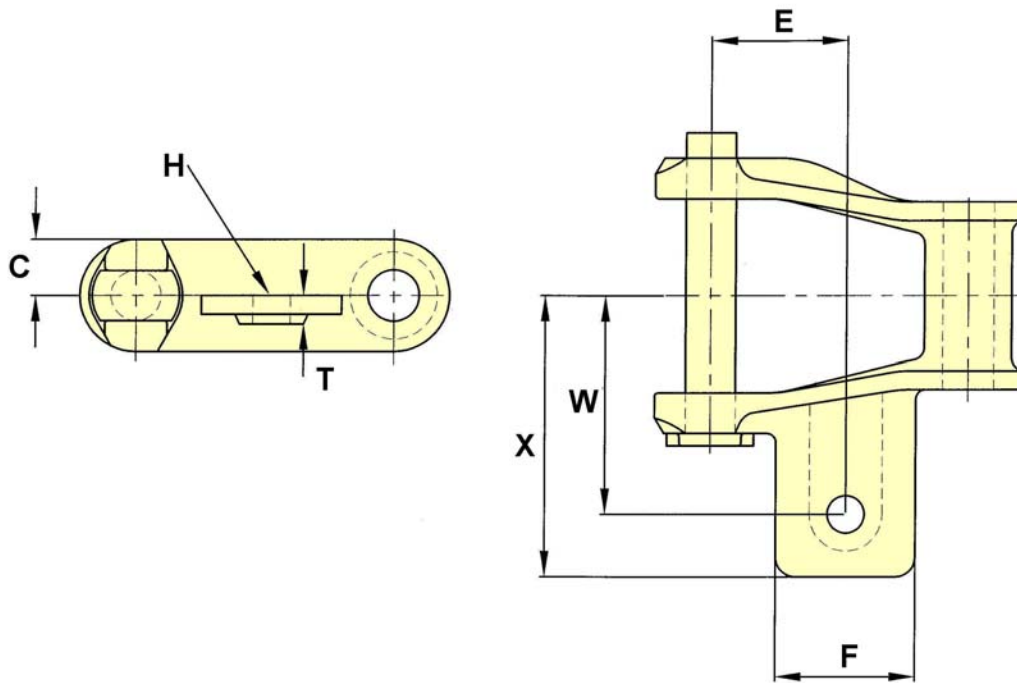
CHAIN NO.	PITCH P	ALLOW. LOAD	U.T.S.	PIN DIA. D	SIDEBAR DEPTH A	MAX. GEARING G	BUSH DIA. B
H60	2.308	1,170	7,000	0.31	0.75	0.75	0.75
H74	2.609	1,580	10,000	0.38	1.00	1.00	0.88
H78	2.609	2,380	16,000	0.50	1.13	1.13	0.88
H82	3.075	3,080	20,000	0.56	1.25	1.25	1.22
H124	4.000	5,000	30,000	0.75	1.56	1.63	1.44

The tabular dimensions and weights are approximate and are not binding.  
Design improvements may result in variation from the published figures and verification is recommended.

## American H Class Chains

A1 Attachment

Drawing no. 213



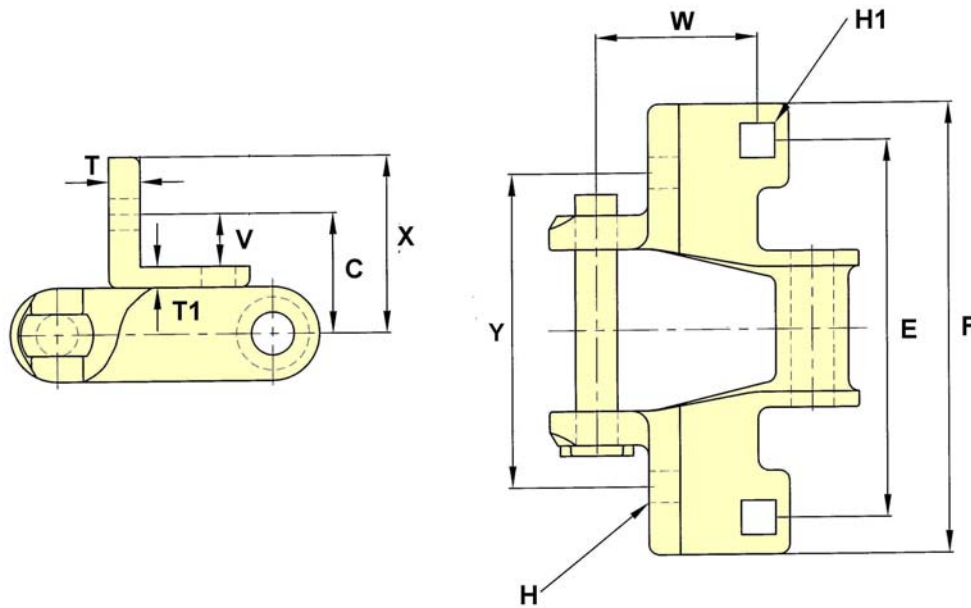
CHAIN NO.	C	E	F	BOLT DIA H	T	W	X
H60	0.38	1.19	1.38	0.38	0.25	1.44	2.25
H78	0.56	1.19	1.41	0.38	0.19	2.19	2.81

The tabular dimensions and weights are approximate and are not binding.  
Design improvements may result in variation from the published figures and verification is recommended.

## American H Class Chains

F4 Attachment

Drawing no. 214



CHAIN NO.	C	H	H1	E	F	T	T1	V	W	X	Y
H60	1.25	0.38	0.31	3.94	4.69	0.28	0.22	0.88	1.63	2.13	3.06
H74	1.38	0.38	0.31	4.13	4.88	0.38	0.25	0.88	2.56	2.25	3.25
H78	1.44	0.38	0.38	4.5	5.38	0.38	0.25	0.88	1.94	2.31	3.75
H82	1.5	0.38	0.38	5	5.88	0.38	0.28	0.88	2.13	2.38	4.13
H124	1.66	0.38	0.38	5.25	6.13	0.5	0.28	0.88	2.56	2.78	4.38

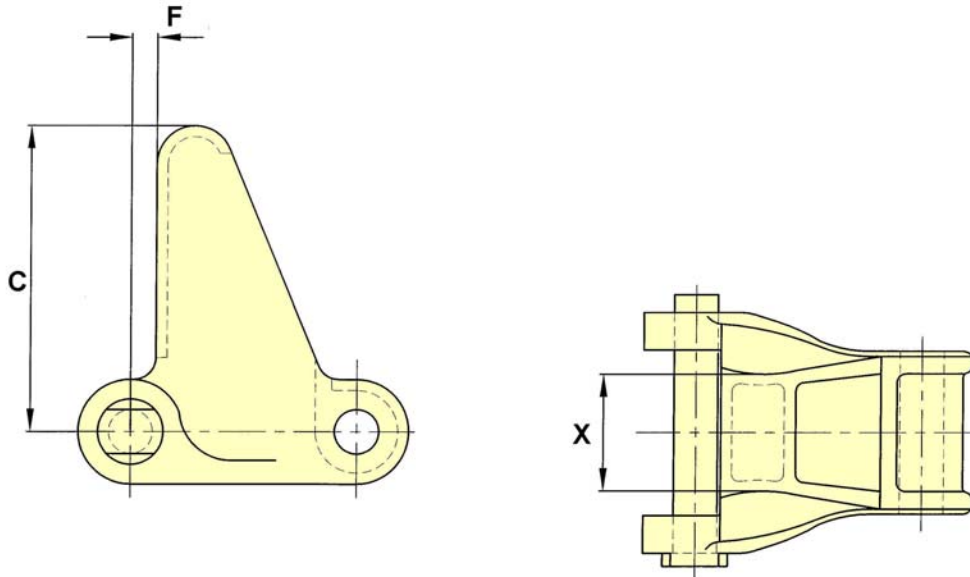
H = ROUND HOLE ] BUT DIMENSIONS ARE FOR BOLT DIAMETER  
 H1 = SQUARE HOLE ]

The tabular dimensions and weights are approximate and are not binding.  
 Design improvements may result in variation from the published figures and verification is recommended.

## American H Class Chains

H1 Attachment

Drawing no. 215



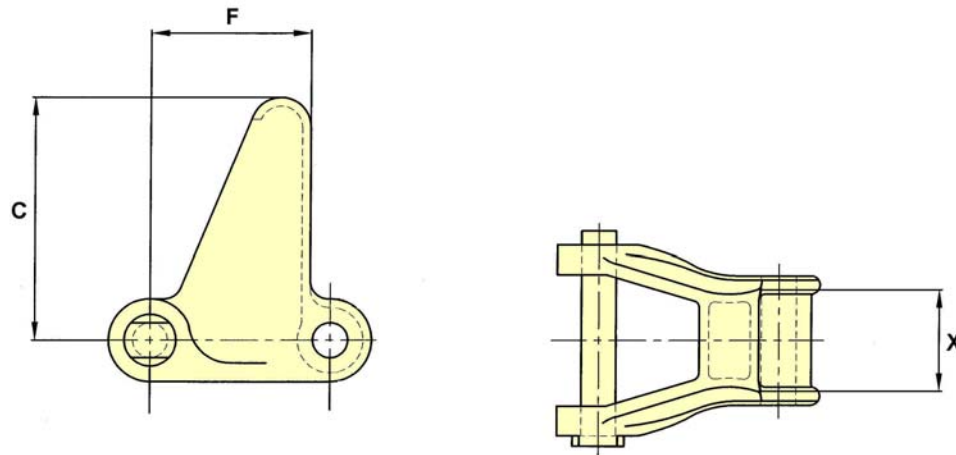
CHAIN NO.	C	F	X
H74	3.00	0.69	1.06
H78	3.63	0.50	1.13

The tabular dimensions and weights are approximate and are not binding.  
Design improvements may result in variation from the published figures and verification is recommended.

## American H Class Chains

H2 Attachment

Drawing no. 110 A



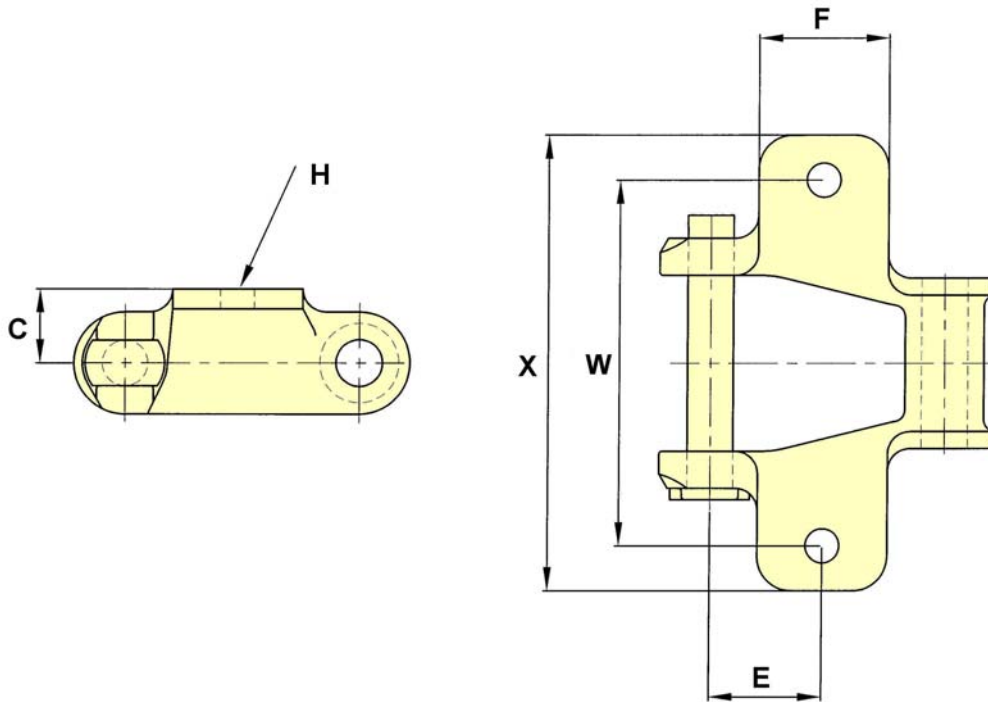
CHAIN NO.	C	F	X
H60	2.44	2.16	0.94
H74	3.16	2.42	1.13
H78	3.50	2.42	1.13
H82	3.37	2.62	1.56

The tabular dimensions and weights are approximate and are not binding.  
Design improvements may result in variation from the published figures and verification is recommended.

## American H Class Chains

K1 Attachment

Drawing no. 211



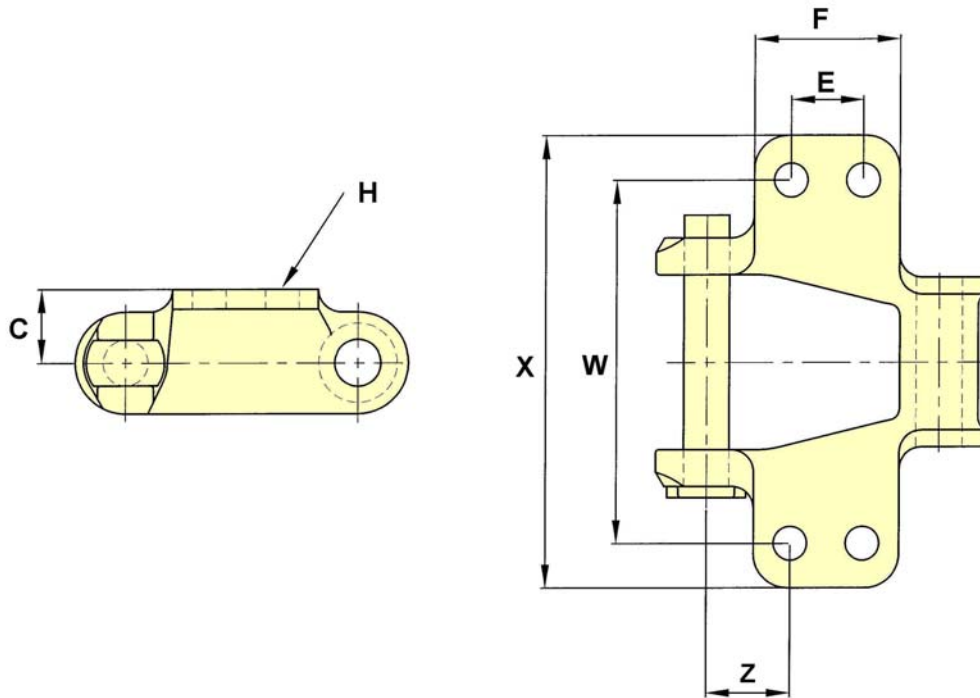
CHAIN NO.	C	E	F	BOLT DIA		
				H	W	X
H60	0.75	1.06	1.13	0.31	3.00	4.00
H74	0.69	1.25	1.13	0.31	2.88	3.88
H78	0.81	1.25	1.38	0.38	4.00	5.00

The tabular dimensions and weights are approximate and are not binding.  
Design improvements may result in variation from the published figures and verification is recommended.

## American H Class Chains

K2 Attachment

Drawing no. 212



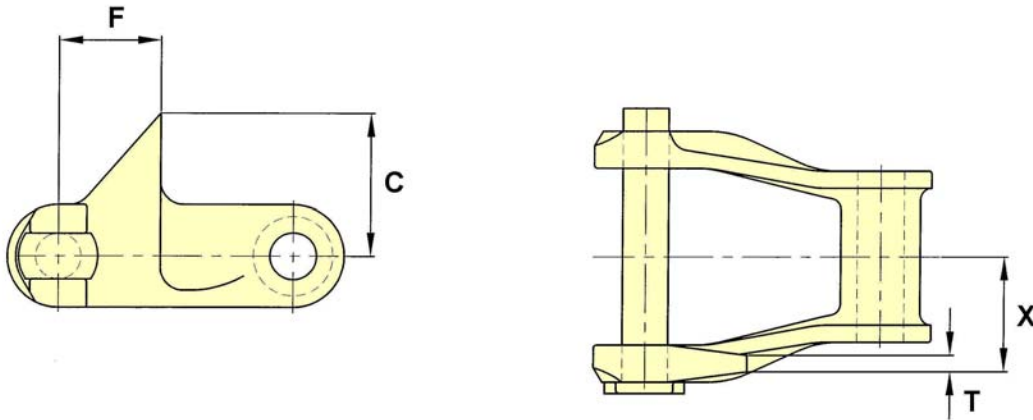
CHAIN NO.	C	E	F	BOLT DIA H	W	X	Z
H82	0.88	1.31	2.19	0.38	4.25	5.50	0.75
H124	1.19	1.94	2.88	0.38	5.25	6.38	0.88

The tabular dimensions and weights are approximate and are not binding.  
Design improvements may result in variation from the published figures and verification is recommended.

## American H Class Chains

### R1 Attachment

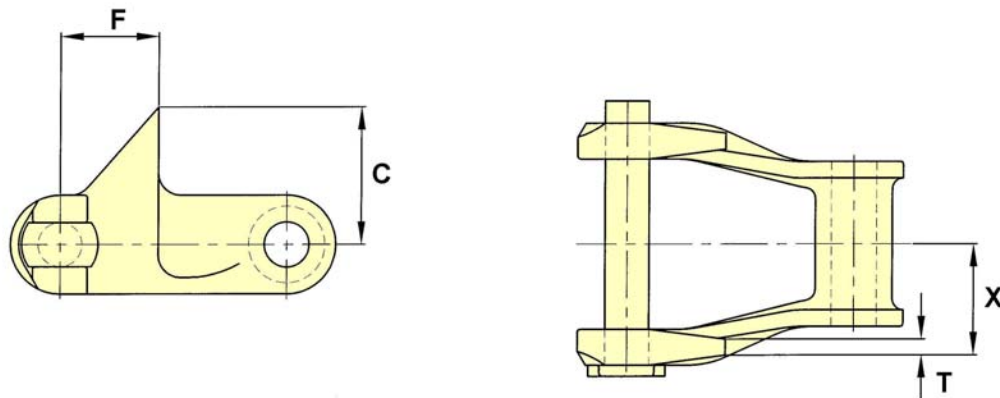
Drawing no. 216



CHAIN NO.	C	F	T	X
H74	1.50	1.13	0.25	1.13
H78	1.56	1.13	0.19	1.25

### RR Attachment

Drawing no. 217



CHAIN NO.	C	F	T	X
H60	1.13	1.13	0.22	1.06
H74	1.50	1.13	0.25	1.13
H78	1.56	1.13	0.19	1.25
H82	1.88	1.19	0.38	1.50

The tabular dimensions and weights are approximate and are not binding.  
Design improvements may result in variation from the published figures and verification is recommended.